

CONNECTOR LEFT

PRO-0431L



COLOURS



Product code White (RAL 9010)
EAN code White

PRO-0431L-W
8719747930212

Product code Grey (RAL 7040)
EAN code Grey

PRO-0431L-S
8719747930229

Product code Black (RAL 9011)
EAN code Black

PRO-0431L-B
8719747930236

Main materials

PC UL94V0 +
Copper + Steel

Net weight per piece

61 g

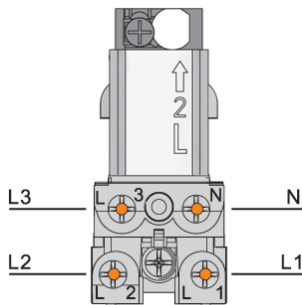
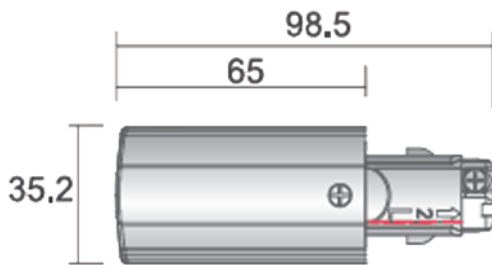
Inner box / outer box

12 / 144 pcs

Rated voltage per circuit

230V / 16A

DIMENSIONS



Red line on the diagram indicates the polarity ridge

ON THE RIGHT TRACK



RoHS

