

CLASSIC 3-CIRCUIT ADAPTER

PRO-0440



COLOURS



Product code White (RAL 9010)
EAN code White

PRO-0440-W
8719747932377

Product code Grey (RAL 7040)
EAN code Grey

PRO-0440-S
8719747932384

Product code Black (RAL 9011)
EAN code Black

PRO-0440-B
8719747932391

Main materials
Copper

PC UL94V0 +

Net weight per piece

81 g

Inner box / outer box

30 / 150 pcs

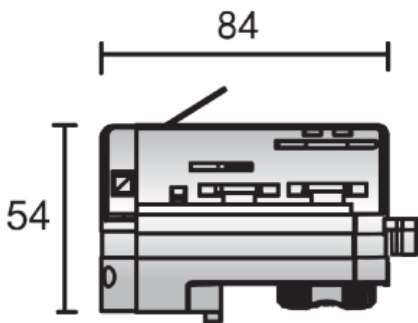
Max pull streng

100N

Rated voltage per circuit

230V / 10A

DIMENSIONS



Including strain relief, excluding nipple

ON THE RIGHT TRACK



RoHS

